



سیزدهمین کنفرانس مهندسی برق ایران

۲۰-۲۲ اردیبهشت ۱۳۸۴



moghadam@saba.kntu.ac.ir

Bastani@eetd.kntu.ac.ir

yousefi@eetd.kntu.ac.ir

- (HUAM) :

[]

[]

/ :
/ %

[]

:

()

EMG

["]

"

"

"

"

.[-]

%

.[]

(LVDT)

.[]

(HUAM)

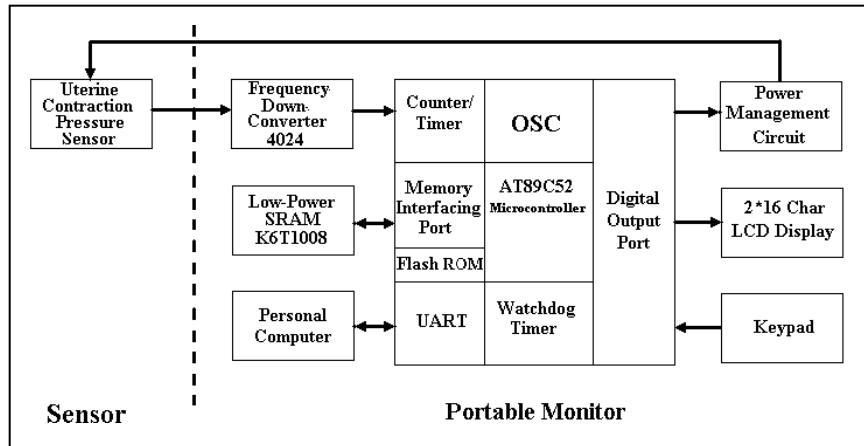
.[]

.[-]

.[]

()

¹ Amniotic fluid



(LCD)

AT89C52

CMOS

(UART)

(LCD)

()

+

(SRAM)

()

()

² Real time

(Q₂)

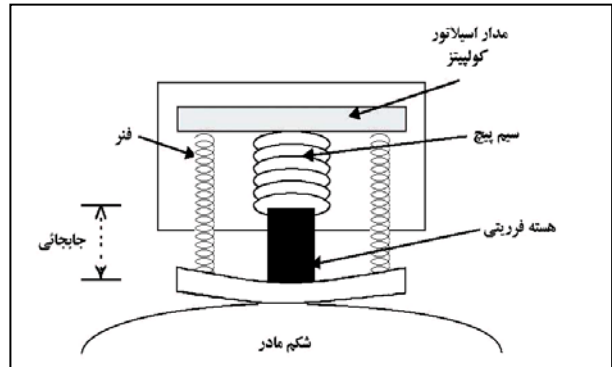
()

(Q₃)

()

TTL

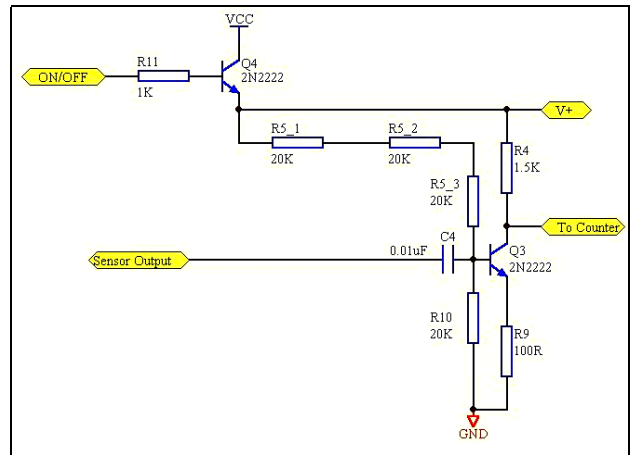
$$f = \frac{1}{2\pi \sqrt{L_1 \left(\frac{C_1 C_2}{C_1 + C_2} \right)}} \quad ()$$



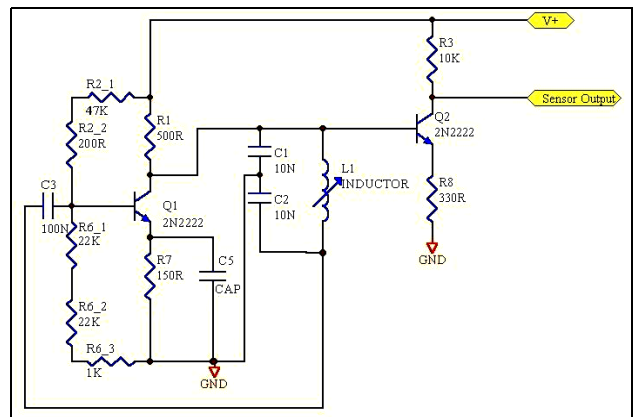
()

()

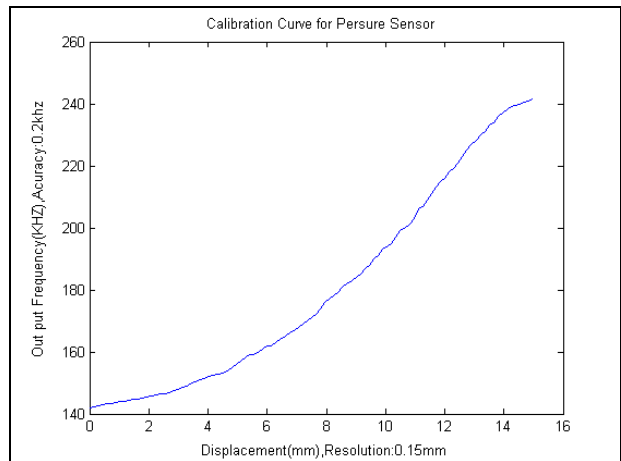
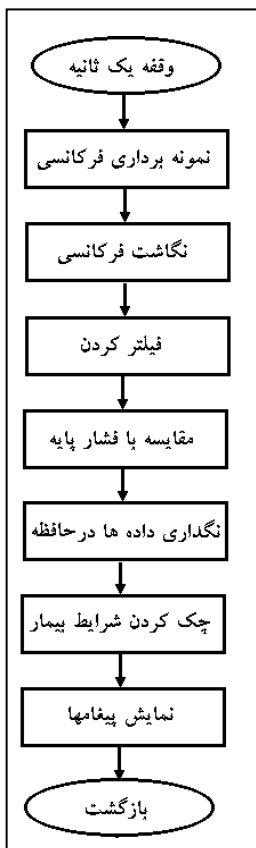
(Q₄)



()

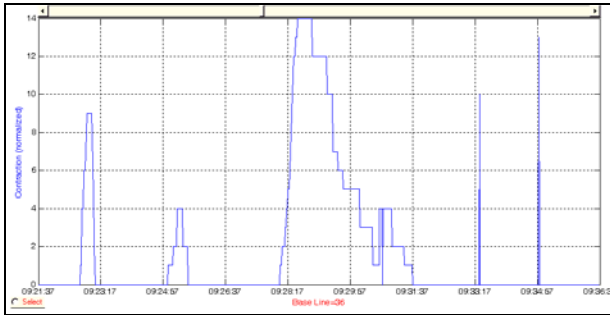


TTL

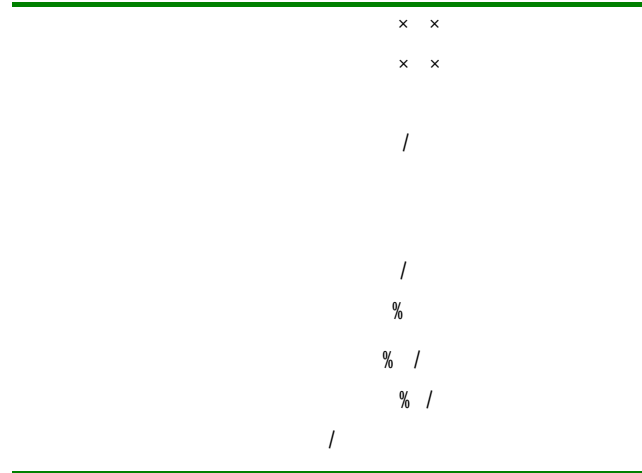


FIR

(SRAM)



()
()



[2]M. L. Moore and M. C. Freda; Reducing preterm and low birth: still a nursing challenge; American Journal of Maternal Child Nursing, July 1998; Vol. 23, PP. 200-208.

[3]D. G. Weismiler; Preterm Labor; American Family Physician, 1999; February, PP. 593-604.

[4]Houme uterine activity monitoring for preterm labor: review article; Journal of the American Medical Association, 1993; Vol. 270, PP. 371-376.

[5]C. A. Beckmann, C. R. Beckmann, G. J. Stanziano, N. K. Bergauer and C. B. Martin; Accuracy of maternal perception of preterm uterine activity; Amer. J. Obstet. Gynecol., Feb. 1996; Vol. 174, PP. 672-675.

[6]M. Katz, P. J. Gill and R. B. Newman; Detection of preterm labor by ambulatory monitoring of uterine activity: A preliminary report; Amer. J. Obstet. Gynecol., Dec. 1986; Vol.68, PP. 773 -778.

[7]R. J. Wapner, D. B. Cotton, R. Artal, R. J. Librizzi and M. G. Ross; A randomized multi center trial assessing a home uterine activity monitoring device used in the absence of daily nursing contact; Amer. J. Obstet. Gynecol., Mar. 1995; Vol. 172, PP. 1026-1034.

[8]T. Colton, H. Kayne, Y. Zhang and T. Heeren; A metaanalysis of home uterine activity monitoring; Amer. J. Obstet. Gynecol. , Nov. 1995; No. 173, PP. 1499-1505.

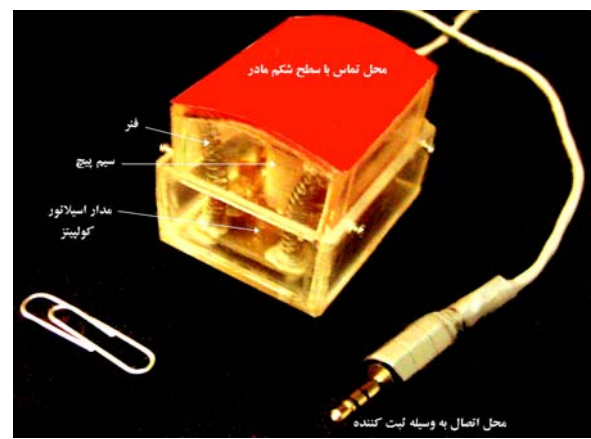
[9]M. J. Corwin, S. M. Mou, S. G. Sunderji, S. Gall, H. How, V. Patel and M. Gray; Multicenter randomized clinical trial of home uterine activity monitoring; pregnancy outcomes for all women randomized; Amer. J. Obstet. Gynecol. , Nov. 1996; Vol. 175, PP. 1281-1285.

[10]M. Khalil, J. Duchene, C. Marque and H. Lemen; Detection and classification in uterine electromyography by multiscale representation; in Proc. 19th Annu. Conf. IEEE/ EMBS, Chicago, IL, 1997; PP. 1609-1608.

[11]J. Duchene, D. Devedeux, S. Mansour and C.Marque; Analyzing uterine EMG: Tracking instantaneous burst Frequency; IEEE Eng. Med. Biol. Mag. ,Mar. 1995.

[12]P. O. Isaacson; Tocodynamometer; U. S. Patent, 1987; No. 4, PP. 640 295.

[13]C. L. Lin, H. C. Wu, T. T. Liu, M. H. Lee, T. S. Kuo and S. T. Young; A portable monitor for fetal heart rate and uterine contraction; IEEE Eng. Med. Biol. Mag. , Nov. 1994; PP. 80-84.



()

[1]F. G. Cunningham, N. F. Gant, K. J. Leveno, L. C. Gilstrap, J. C. Hauth and K. P. Wenstrom; Williams Obstetrics; 21 Edition, Mc Graw-Hill Medical Division; 2001.